

# LIVING DISTRICT

Collection: Eclipse

Installation manual for:

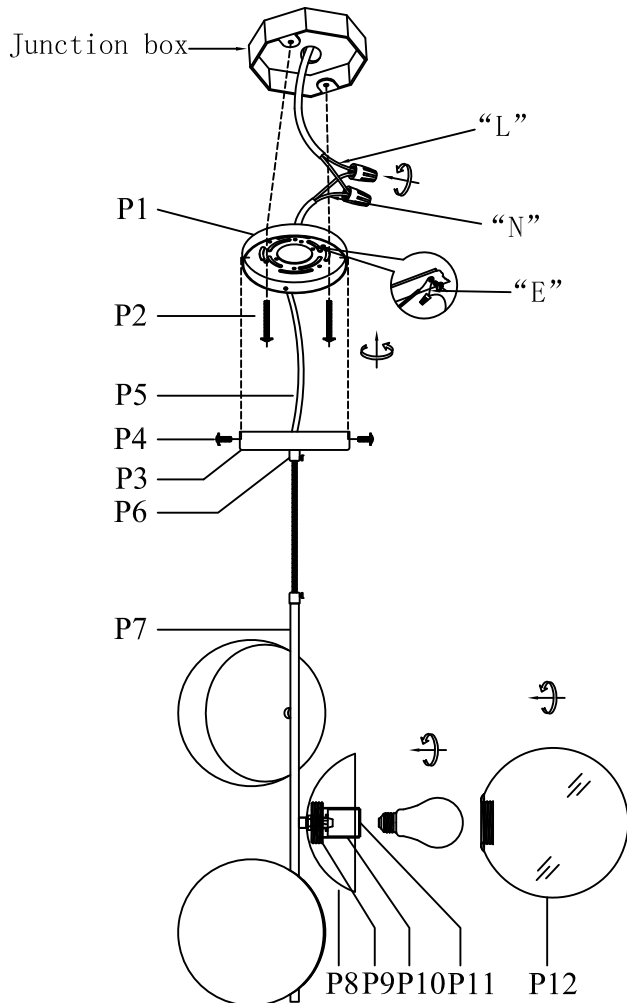
LD6126BR D17.5" H22" L3

## Installation instructions:

1. Black wire from ceiling(junction box) attaches to "L"wire from the fixture.
2. White wire from ceiling(junction box) attaches to "N"wire from the fixture.
3. "E" wire from the fixture is attaced to the mounting bracket and an additional "E" wire from the mounting bracket must be secured to the junction box.
4. Secure mounting bracket to the junction box.
5. Insert screws (P2) in side of top unit the mounting bracket.
6. Place the top suction plate(P3) on the hanging plate (P1) and screw( P4) tightly.
7. Install E26 light source,no include bulb.
8. Place the glass cover (P12) on the semicircular cover (P8).

The end!

## PARTS LIST



part	picture	Description	Qty	Check list
P1		D5.5" Mounting bracket	1	
P2		5/32-32 Screw	2	
P3		D6" Canopy plat	1	
P4		5/32-32 Screw	3	
P5		Two-core Power Cord 6.6' Black	1	
P6		Car iron parts	2	
P7		L21.45" Straight pipe weldment	1	
P8		D7.28" Semicircular cover	3	
P9		D2.16" Screw die	3	
P10		Socket cover	3	
P11		E26 Socket	3	
P12		D8" Milk Glass	3	

"L" = Hot wire  
 "N" = Neutral wire  
 "E" = Ground wire